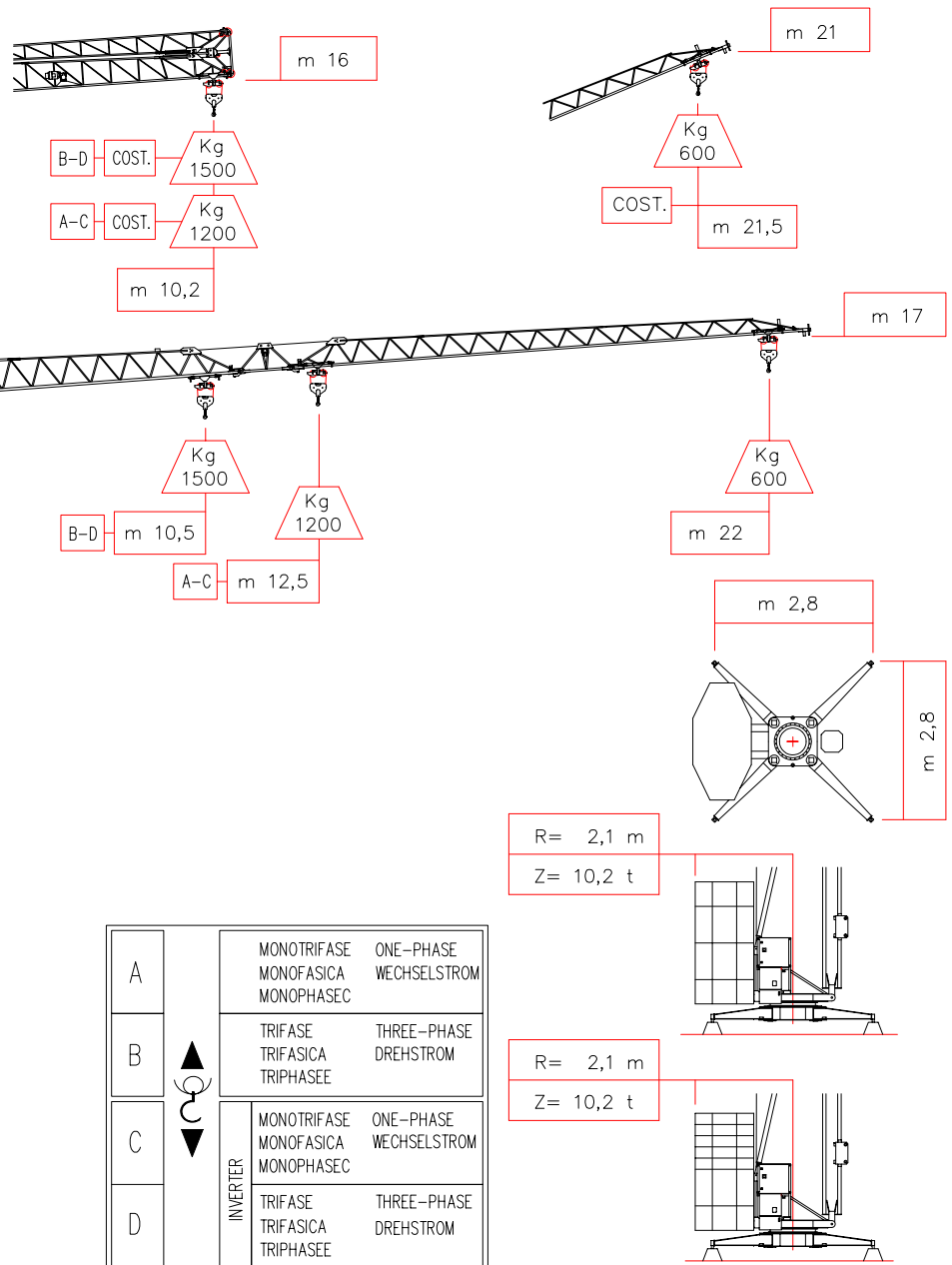


UFFICI - STABILIMENTO: 28047 OLEGGIO (NO) - VIA SANTO STEFANO 103
 TELEFONO 0321 / 93.535-94.734 (ric. aut.) - FAX 0321 / 94.824
 E-mail info@benazzatogru.it - web site www.benazzatogru.it
 SEDE LEGALE : 28047 OLEGGIO (NO) - VIA SANTO STEFANO 103

SERIE 102 - TIPO 17-22-600

TRIFASE - MONOTRIFASE

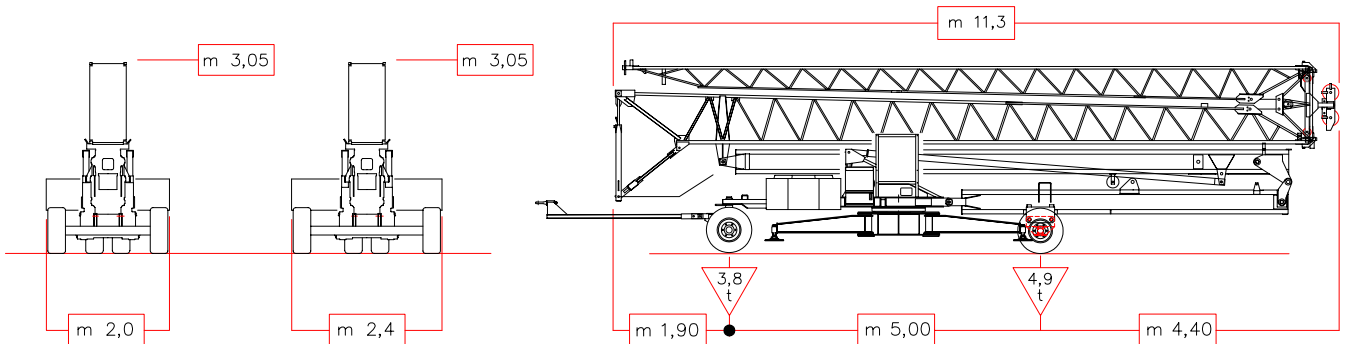
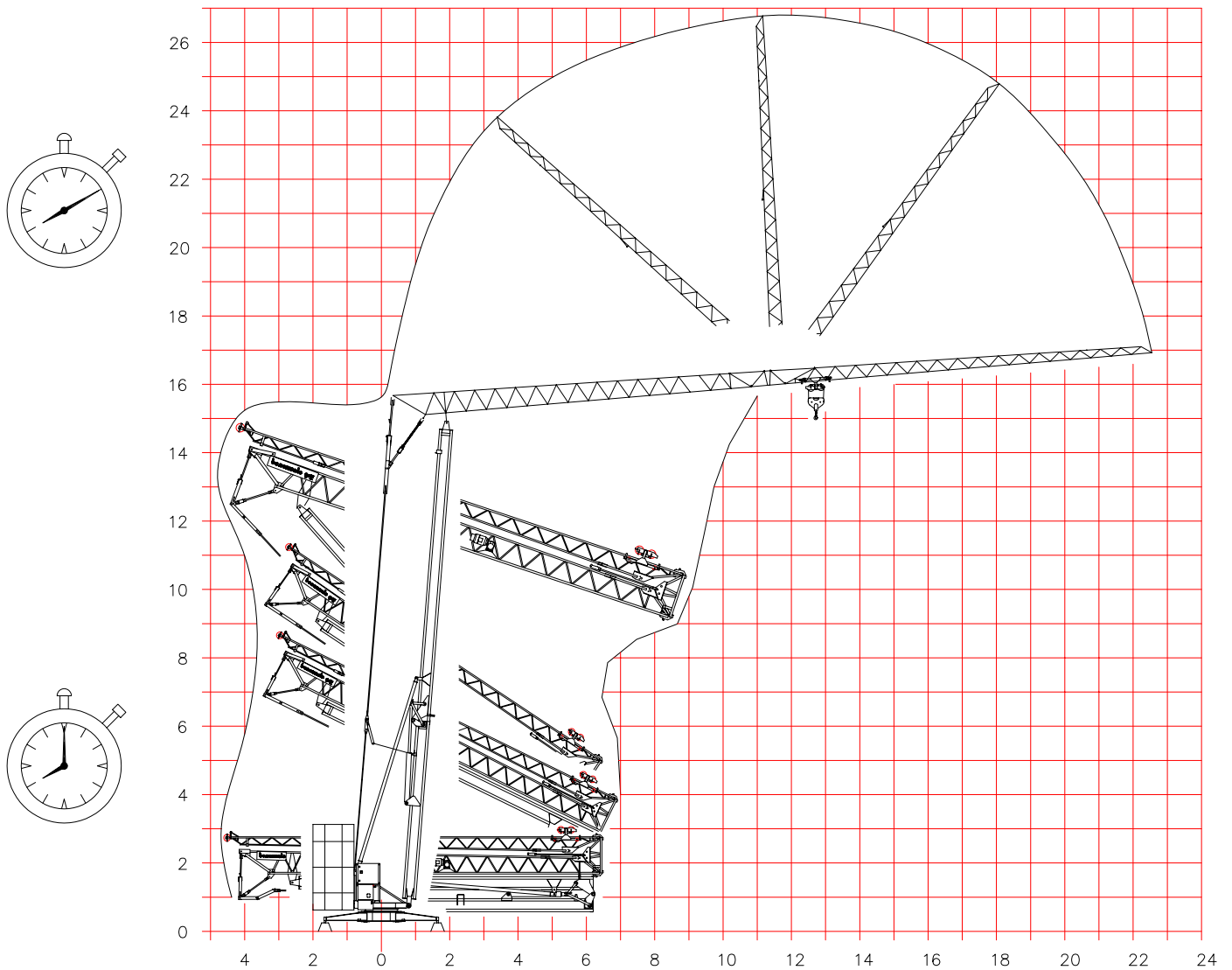
MONTAGGIO IDRAULICO SUPERAUTOMATICO
 SELF-ERECTING HYDRAULIC TOWER CRANE
 GRUE A TOUR HYDRAULIQUE A MONTAGE RAPIDE
 HYDRAULISCHER TURMDREHKRAN MIT SCHNELLMONTAGE
 GRUA AUTOMONTANTE HIDRAULICA DE MONTAJE RAPIDO



A	↑	MONOTRIFASE MONOFASICA MONOPHASEC	ONE-PHASE WECHSELSTROM
B		TRIFASE TRIFASICA TRIPHASEE	THREE-PHASE DREHSTROM
C	↓	MONOTRIFASE MONOFASICA MONOPHASEC	ONE-PHASE WECHSELSTROM
D		TRIFASE TRIFASICA TRIPHASEE	THREE-PHASE DREHSTROM

	Kg	A-C
	m	
	Kg	B-D
	m	

	1200	1150	1045	960	885	825	765	720	675	635	600		
	12,5	13	14	15	16	17	18	19	20	21	22		
	1500	1420	1270	1150	1045	960	885	825	765	720	675	635	600
	10,5	11	12	13	14	15	16	17	18	19	20	21	22



DIN 15018 H ₁ B ₂ B ₃ DIN 15019			LINEA, LINEA, LIGNE, LINE, LINIE	
	MONOTRIFASE m/min 20– 600 Kg m/min 10–1200 Kg	kW 2,2 kW 2.2	A	V 220/380–Hz 50 MAX POWER kVA 3,2
	TRIFASE m/min 27– 800 Kg m/min 13,5–1500 Kg (m/min 3,5–1500 Kg)	kW 4,4 kW 3,7 kW 1,1*	B	V 380 – Hz 50 MAX POWER kVA 9
	INVERTER m/min 20– 600 Kg m/min 14– 800 Kg m/min 8–1200 Kg	kW 4,5	C	V 220–Hz 50 MAX POWER kVA 3
	INVERTER m/min 25– 600 Kg m/min 17– 800 Kg m/min 8–1500 Kg	kW 4,5	D	V 220/380–Hz 50 MAX POWER kVA 6
	rpm upm 0,35/0.9	daN 1.5	Torre in tubo ottagonale Crane with octagonal closed beam tower Grue avec mat en tube octogonal Kran mit oktagonalem Rohrturm Torre de tubo octogonal	
	m/min 25–1500 Kg	kW 1.5		